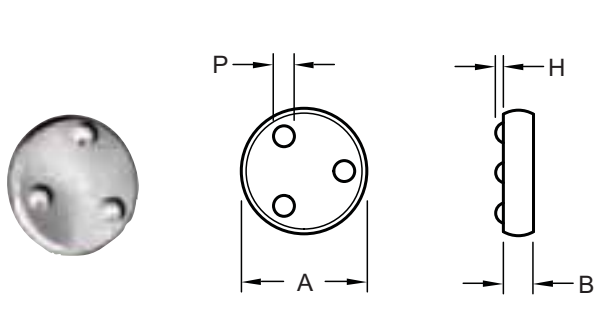
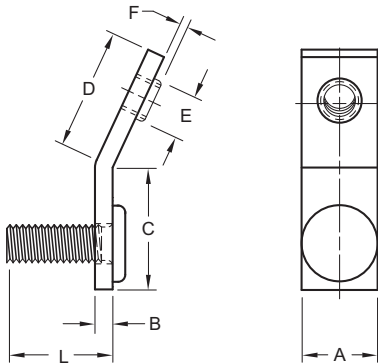


OHIO



Part Number	Diameter	Thickness	Projection	
			Dia.	Height
	A	B	P	H
PC 0612	0.406	0.130	0.075	0.027
	0.344	0.120	0.065	0.023
PC 0618	0.406	0.193	0.075	0.027
	0.344	0.183	0.065	0.023
PC 1218	0.781	0.193	0.130	0.052
	0.719	0.183	0.120	0.048

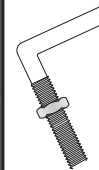
The PC weld pad is manufactured with three projections on one side. The PC pads are primarily used as spacers or as reinforcements in applications where additional metal is required for greater strength or to provide longer service at points of extreme wear.



Part Number	Size Screw & Nut	Width	Thickness	Screw Leg	Nut Leg Dia.	Pilot		Length Under Head
						Dia.	Height	
		A	B	C	D	E	F	L
BF 2712	5/16-18	0.625	0.140	1.000	1.000	0.359	0.078	0.750



The BF bracket is a special purpose product. It functions as a basic belt adjustment bracket. The BF bracket provides a strong, durable low carbon steel base which allows you to make a belt tensioner to fit your particular needs.



The Ohio Nut and Bolt Company

Sales Office: Buckeye Fasteners • "Your Factory Source"

5250 West 164th Street • Cleveland Ohio 44142

Ph: (800)-437-1689 • Ph: (216)-267-2240 • Fax: (216) 267-3228

www.BuckeyeFasteners.com

A Division of Fastener Industries Inc. — An Employee Owned Company

© Copyright 2012 The Ohio Nut and Bolt Company

